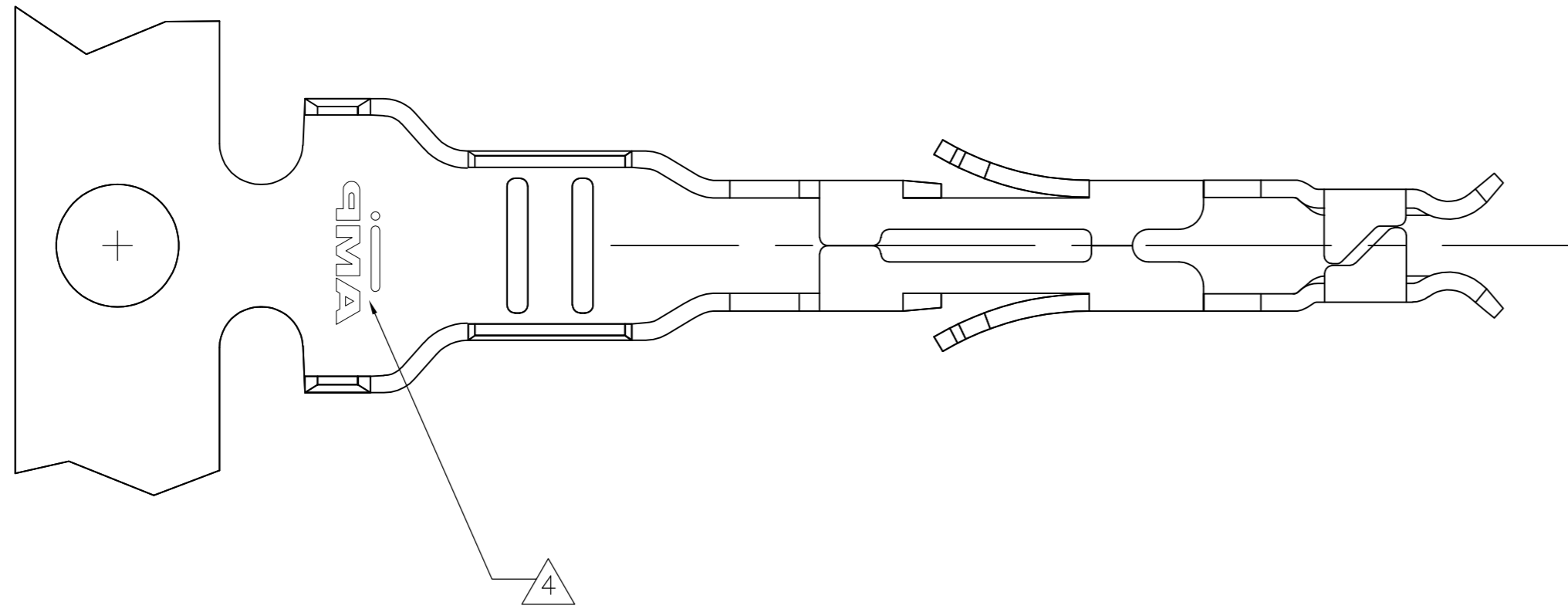
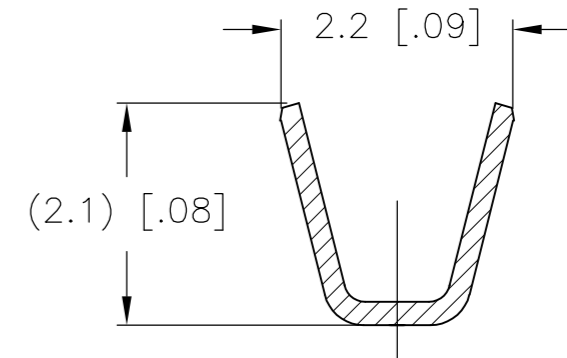
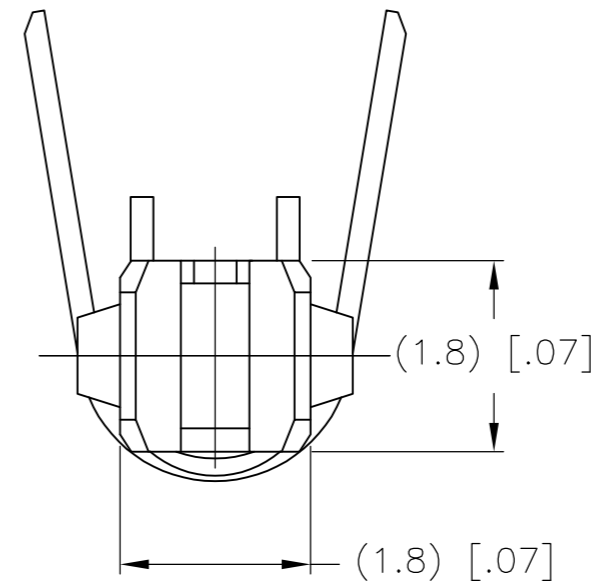
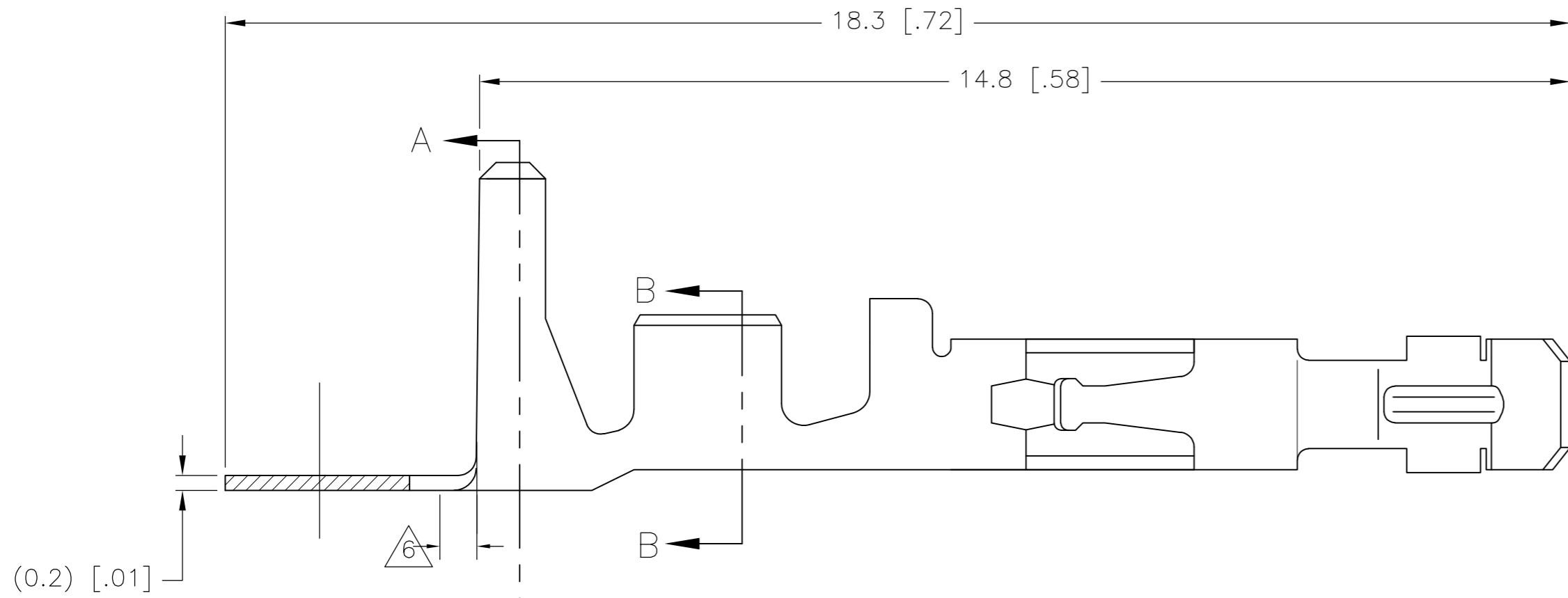


THIS DRAWING IS UNPUBLISHED. RELEASED FOR PUBLICATION  
 © COPYRIGHT - By - ALL RIGHTS RESERVED.

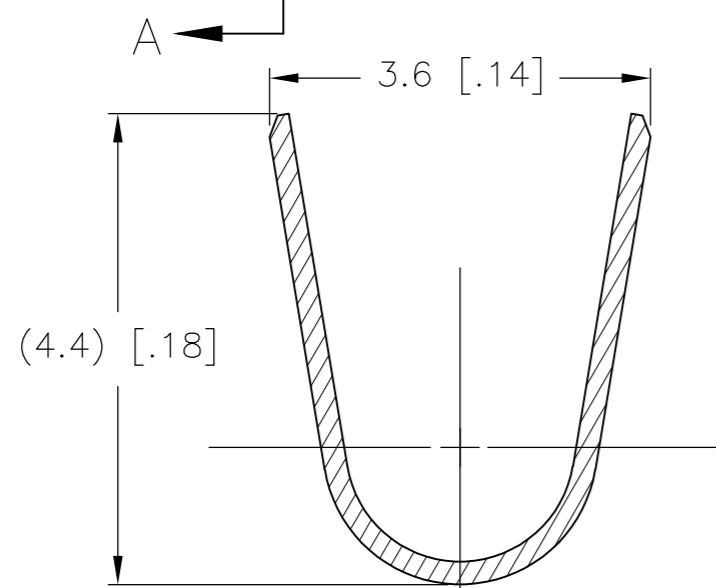
LOC		DIST		REVISIONS			
P	LTR	DESCRIPTION		DATE	DWN	APVD	
CM	00	H1	REVISED PER ECO-11-004917		11MAR11	RK	HMR



1. HAND TOOL PART NUMBER 734202-2.
2. EXTRACTION TOOL PART NUMBER 188688-1
3. LOOSE PIECE CONTACT
4. AMP TRADEMARK
5. MATERIAL PHOSPHOR BRONZE PRETINNED 1-3μm
6. CUT OFF DIMENSION FOR LOOSE PIECE CONTACT 0.5 [.02] MAXIMUM.
7. WIRE RANGE: 0.30-0.87mm<sup>2</sup> [.012-.034in<sup>2</sup>], (18-22 AWG).
8. INSULATION RANGE: 1.50-2.40 [.059-.094] DIAMETER.

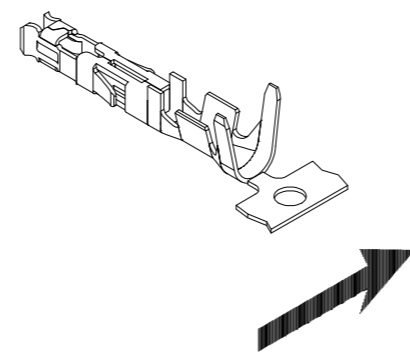


SECTION B-B  
SCALE 14:1



SECTION A-A  
SCALE 14:1

DIRECTION OFF TOP OF REEL



3	PRETINNED	PHOSPHOR BRONZE	1-106529-2
	PRETINNED	PHOSPHOR BRONZE	106529-2
	FINISH	MATERIAL	PART NUMBER

THIS DRAWING IS A CONTROLLED DOCUMENT.		DWN S. HOOVER 29-JAN-2004		
DIMENSIONS: mm [INCHES]		CHK D. COLEY 29-JAN-2004		
TOLERANCES UNLESS OTHERWISE SPECIFIED:		APVD D. COLEY 29-JAN-2004	NAME	
0 PLC ±		PRODUCT SPEC	SOCKET CONTACT AMP-DUAC™	
1 PLC ±		APPLICATION SPEC	SIZE A2	CAGE CODE 00779
2 PLC ± 0.10 [.004]		WEIGHT	DRAWING NO C=106529	RESTRICTED TO -
3 PLC ±		CUSTOMER DRAWING	SCALE 14:1	SHEET 1 OF 1
4 PLC ±			REV H1	
ANGLES ±				
FINISH				
SEE CHART				